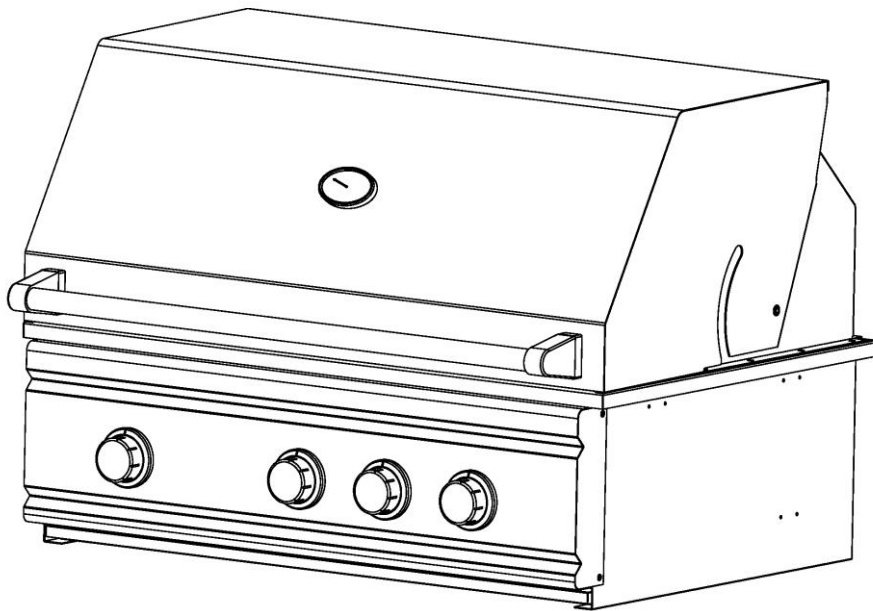


OWNER'S MANUAL
FOR TR SERIES GRILL



For Outdoor Use Only



Installation, Operation, Maintenance
Instructions & Parts List

MODELS:

TR-26N, TR-26L
TR-32N, TR-32L
TRS-32N, TRS-32L
TRL-32/38N, TRL-32/38L
TRLD-32/44N, TRLD-32/44L

Contents	Page
For Your Safety	3
Safety Rules	6
Gas Barbecue Specifications	7
Gas Connection	8
LP Tank Requirement	9
Installation Location	10
Clearances	11
Electrical	12
Lighting Instructions	13
Operation	14
Cleaning and Maintenance	15
Parts Removal and Replacement	16
Trouble Shooting	17
Wire Diagram	18
TR-26/TR-32/TRL-32/TRS-32/TRL-38 Parts Identification	19/20
TR-26/TR-32/TRL-32/TRS-32/TRL-38 Exploded View	21
TRLD-32/44 Parts Identification	22
TRLD-32/44 Exploded View	23
Do's & Don'ts	24

Message to the Proud Owner of this Quality Gas Grill

Congratulations on the purchase of the high quality, high performance grill.

Read this manual carefully to understand all the instructions about how to install, operate and maintain for optimum performance and longevity.

Keep this manual in a safe place for future reference.

For any assistance, contact us. Make sure to provide the Model Number and Serial Number of the grill.

Thank you for buying our grill. We wish you years of cooking pleasure.

For Your Safety

READ THESE SAFETY INSTRUCTIONS

➤ WARNING

Fuels used in gas or oil-fired appliances and the products of combustion of such fuels, contain chemicals known to the State of California to cause cancer, birth defects and/ or other reproductive harm. This warning is issued pursuant to California Health & Safety Code Sec. 25249.6.

➤ WARNING

Failure to comply with these instructions could result in a fire or explosion that could cause serious bodily injury, death, or property damage.

➤ WARNING

Your grill will get very hot. Never lean over the cooking area while using your grill. Do not touch cooking surfaces, grill housing, grill lid or any other grill parts while the grill is in operation, or until the grill has cooled down after use. **Failure to comply with these instructions may result in serious bodily injury.**

➤ Grill Installation Codes

This gas grill must be installed in accordance with all local codes. In areas without local codes, follow the latest edition of the National Fuel Gas Code ANSI Z223.1. In Canada, installation must conform to standard CAN/CGA 1b149.1 or 1-b149.2 (Installation Code for Gas Burning Appliances and Equipment) and all local codes. **Proper Placement and Clearance of Grill** Never use your gas grill in a garage, porch, shed, breeze way or any other enclosed area. Your gas grill is to be used **outdoors only, at least 24 inches from the back and 18 inches to the side of any combustible surface.** **Exceptions would include usage with approved vent hoods and all proper materials and clearances according to local codes.**

Your gas grill should not be placed under any surface that will burn. Do not obstruct the flow of ventilation air around the gas grill housing.

This outdoor gas grill is not intended to be installed in or on recreational vehicles and/or boats.

PROPANE MODELS:

Correct LP Gas Tank Use

LP gas grill models are designed for use with a standard 20 lb. Liquid Propane Gas (LP gas) tank, not included with grill box. **Never** connect your gas grill to an LP gas tank that exceeds this capacity. A tank of approximately 12 inches in diameter by 18-1/2 inches high is the maximum size LP gas tank to use. A Propane tank with an OPD (Overfill Prevention Device) must be used. This safety feature prevents the tank from being over-filled which can cause malfunction of the LP gas tank, regulator and/or grill.

The LP gas tank must be constructed and marked in accordance with specifications of the U.S. Dpt. of Transportation (DOT). In Canada, the LP gas tank must meet the Canadian Transportation and Communications (CTC) specifications. Also be sure to read and follow all LP instructions on the following page.

If the outdoor cooking gas appliance is not in use, the gas must be turned off at the supply cylinder. (a) Do not store a spare LP-gas cylinder under or near this appliance; (b) Never fill the cylinder beyond 80 percent full; and (c) If the information in (a) and (b) is not followed exactly, a fire causing death or serious injury may occur.

1. The LP gas tank has a shutoff valve, terminating in an LP gas supply tank valve outlet, that is compatible with a Type 1 tank connection device. The LP gas tank must also have a safety relief device that has a direct communication with the vapor space of the tank.
2. The tank supply system must be arranged for vapor withdrawal.
3. The LP gas tank used must have a collar to protect the tank valve.

Never connect an unregulated LP gas tank to your gas grill. The gas regulator assembly supplied with your gas grill is adjusted to have an outlet pressure of 11" water column (W.C.) for connection to an LP gas tank.

Only use the regulator and hose assembly supplied with your gas grill. Replacement regulators and hose assemblies must be those specified by manufacture.

Have your LP gas tank filled by a reputable propane gas dealer and visually inspected and re-qualified at each filling.

Never fill the gas tank beyond 80% full. Have your propane gas dealer check the release valve after every filling to ensure that it remains free of defects.

Always keep LP gas tanks in an upright position.

Do not store (or use) gasoline or other flammable vapors and liquids in the vicinity of this gas grill.

An LP gas tank that is not connected for use must NOT be stored on bottom shelf or in the vicinity of this or any other gas grill.

Do not subject the LP gas tank to excessive heat.

Never store an LP gas tank indoors. If you store your gas grill in the garage or other indoor location, **always** disconnect the LP gas tank first and store it safely outside and out of reach of children.

LP gas tanks must be stored outdoors in a well-ventilated area. Disconnected LP gas tanks must not be stored in a building, garage or any other enclosed area.

When your gas grill is not in use the gas must be turned off at the LP gas tank.

The regulator and hose assembly must be inspected before each use of the grill. If there is excessive abrasion or wear or if the hose is cut, it must be replaced prior to the grill being used again.

Keep the gas regulator hose away from hot grill surfaces and dripping grease. Avoid unnecessary twisting of hose. Visually inspect hose prior to each use for cuts, cracks, excessive wear or other damage. If the hose appears damaged do not use the gas grill.

Never light your gas grill with the lid closed or before checking to insure the burner tubes are fully seated over the gas valve orifices.

Never allow children to operate your grill. Do not allow children to play near your grill.

➤ **WARNING**

A strong gas smell, or the hissing sound of gas indicates a serious problem with your gas grill or the LP gas tank.

Failure to immediately follow the steps listed below could result in a fire or explosion that could cause serious bodily injury, death, or property damage.

- ❖ Shut off gas supply to the grill.
- ❖ Turn the Control Knobs to the **OFF** position.
- ❖ Open grill lid.
- ❖ Get away from the LP gas tank.
- ❖ Do not try to fix the problem yourself..
- ❖ If odor continues or you have a fire you cannot extinguish, call your fire department.

Do not call near the LP gas tank because your telephone is an electrical device and could create a spark resulting in fire and/or explosion.

NOTE: The normal flow of gas through the regulator and hose assembly can create a humming noise. A low volume of noise is perfectly normal and will not interfere with operation of the grill. If humming noise is loud and excessive you may need to purge air from the gas line or reset the regulator excess gas flow device. This purging procedure should be done every time a new LP gas tank is connected to your grill. For help call the Customer Service Helpline for assistance.

Built-in Units Utilizing Natural Gas

When connecting a built-in unit to the natural gas supply in your home, please ensure the pipe joint compound is resistant to the action of natural gas. In addition, please observe the following:

The barbecue and its individual shut-off valve must be disconnected from the gas supply piping system during any pressure testing of that system at test pressures in **excess** of ½ psi (3.5 kPa).

The barbecue must be isolated from the gas supply piping system by closing its individual manual shut-off valve during any pressure testing of the gas supply piping system

at test pressures **equal to or less than** ½ psi (3.5 kPa)

The units are supplied from the factory equipped for

use with natural gas and includes a natural gas regulator.

If operation with propane gas is desired, you **must purchase a Propane Model**. In addition, a **Propane Gas Regulator MUST** be installed in the gas supply line from the propane gas tank.

Please remember to check all gas connections for leaks after the piping is completed. Follow the procedure under the heading "**CAUTION: LEAK CHECKING.**"

□ **CAUTION: BEWARE OF FLASHBACK**
CAUTION: Spiders and small insects occasionally spin webs or make nests in the grill burner tubes during transit and warehousing. These webs can lead to a gas flow obstruction which could result in a fire in and around the burner tubes.

This type of fire is known as a "FLASHBACK" and can cause serious damage to your grill and create an unsafe operating condition for the user.

Although an obstructed burner tube is not the only cause of "FLASHBACK", it is the most common cause.

To reduce the chance of "FLASHBACK", you must clean the burner tubes before assembling your grill, and at least once a month in late summer or early fall when spiders are most active. Also perform this burner tube cleaning procedure if your grill has not been used for an extended period of time.

If you smell gas:

1. Shut off gas to the appliance.
2. Extinguish any open flames.
3. Open lid.
4. If odor continues, immediately call your gas supplier.

WARNING

Read the "Lighting Instructions" in this manual, before lighting this appliance.

For Your Safety

1. Do Not store or use gasoline or other flammable vapors and liquids in the vicinity of this or any other appliance.
2. An LP cylinder not connected for use shall not be stored in the vicinity of this or any other appliance.

TESTED IN ACCORDANCE WITH ANSI STANDARD FOR OUTDOOR COOKING GAS APPLIANCES. THIS GRILL IS FOR OUTDOOR USE ONLY.

Check your local building codes for the proper method of installation. In the absence of local codes, this unit should be installed in accordance with the National Fuel Gas Code No. Z223.1-CAN/CGA – B149.1, natural gas installation code or CAN/CGA – B149.2, propane installation code.

CALIFORNIA PROPOSITION 65-WARNING

The Burning of gas cooking fuel generates some by-products which are on the list of substances which are known by the State of California to cause cancer or reproductive harm. California law requires businesses to warn customers of potential exposure to such substances. To minimize exposure to these substances, always operate this unit according to the use and care manual, ensuring you provide good ventilation when cooking with gas.

Safety Rules

1. It is important to follow these rules to avoid fire hazard, property damage or bodily injury from improper installation or usage of the grill. For safety, READ all rules carefully and check local codes.
2. It is prohibited to install the grill in recreational vehicles/mobile homes, trailers, boats, etc. The grill is for outdoor installation and use only.
3. Ensure proper installation by following the installation instructions. Make sure to know where the gas supply shut-off valve is located. It should be readily and easily accessible.
4. Check all gas line joints or connection for gas leak with soap water solution. **Never check gas leak with an open flame.**
5. Do not attempt to repair or replace any part of the grill unless specifically recommended in this manual. All other services should be performed by a qualified service technician.
6. Do not place clothing or other flammable material on or near the appliance. Do not wear loose-fitting clothes or long sleeves while using the grill as some fabrics can be highly flammable.
7. Children should be carefully supervised when they are in the vicinity of the grill. Do not allow them to get close while in use. Items of interest to children should

not be stored in or around the grill in the cabinet or in the masonry enclosure. Portions of the grill can be extremely hot while in use and can cause severe burns.

8. Protect your hand with a glove or mitt when opening and operating the grill. Open grill lid slowly to allow heat and smoke to escape before fully opening.
9. Never use aluminum foil to line the crumb pan or grill racks. This can alter airflow for proper combustion and also build up heat in the control area causing the knobs and igniters to melt.
10. Grease is highly flammable. Allow hot grease to cool down before attempting to handle it. Clean grease tray often so that grease does not accumulate and stay in it.
11. Do not use the grill in a windy area.
12. Do not obstruct the flow of air into the front of the grill.

Gas Connections

Check gas type - use only the type of gas indicated in the rating plate.

Do Not connect an unregulated gas line to the appliance.

Safe and satisfactory operation depends to a great extent on the proper installation of the appliance. The installation must comply with the local codes, or in the absence of local codes, with either the National Fuel Gas Code, ANSI Z223.1 or CAN/CGA – B149.1 or 149.2.

Installer supplied manual gas shut-off valve must be installed in an easily accessible location in the gas supply line ahead of the pressure regulator (4" W.C.) which is also to be provided by the installer.

The outdoor cooking gas appliance and its individual shut-off valve must be disconnected from the gas supply piping system during any pressure testing of the system at test pressures in excess of ½ Psi (3.5 kPa).

The outdoor cooking gas appliance must be isolated from the gas supply piping system by closing its individual manual shut-off valve during any pressure

testing of the gas supply piping system at test pressures equal to or less than ½ Psi (3.5 kPa).

The supply line must be sized and installed to provide a sufficient supply of gas to meet the maximum demand of the grill without undue loss of pressure. The sealant used on the threaded joints of the gas pipe must be a type resistant to the action of LP gases.

GAS BARBECUE SPECIFICATIONS

BURNER INPUT RATING:

TR-26/TR-32/TRS-32/TRL-32/TRL-38:

Grill Main Burner	18,000 BTU / each
Rotisserie	15,000 BTU

TRLD-32/44:

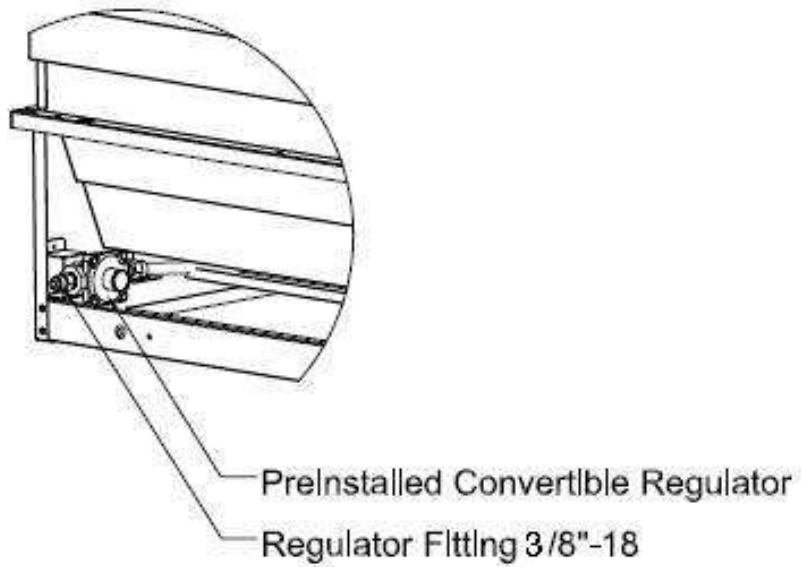
Grill Main Burner	20,000 BTU / each
Rotisserie	12,500 BTU
Rotisserie	15,000 BTU

Natural Gas Connection: (Installer to Provide Regulator)

Appliance pressure	5" W.C.
Inlet pressure	5" - 14" W.C.

Check with your local gas utility company or with local codes before installing gas lines.

Assemble pipe fittings as shown. Apply pipe compound on male joints only. Install regulator with the proper orientation for the gas flow.

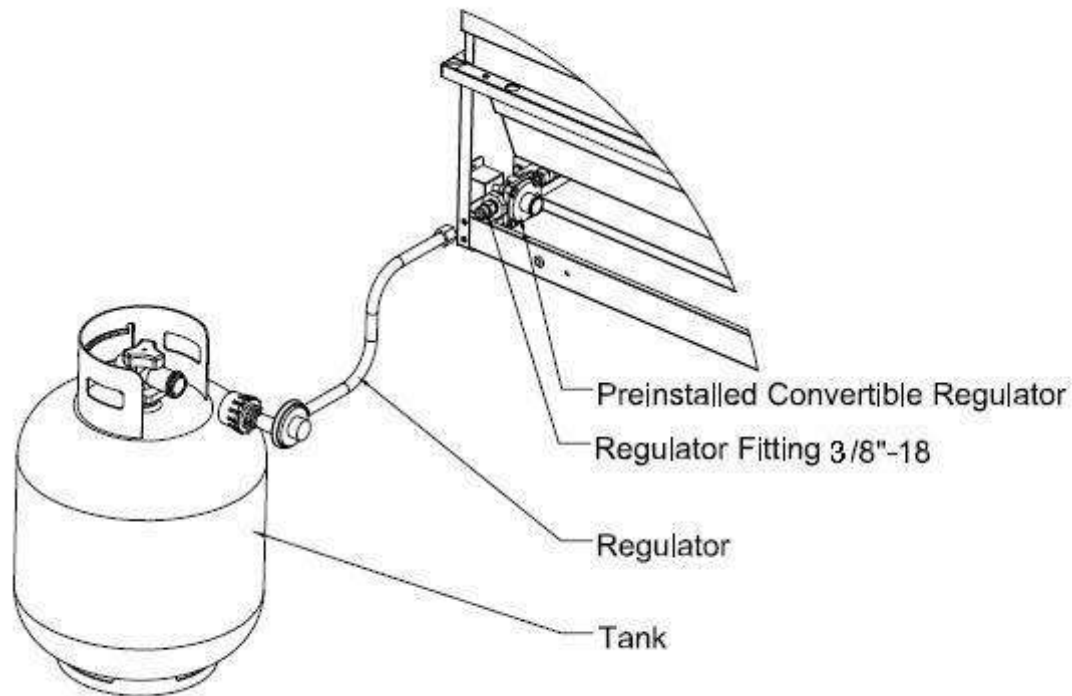


LP Gas Connection

Appliance pressure	10" W.C.
Inlet pressure	11" – 14" W.C.

Purchase a standard 20 lbs. LP tank with QCC – 1 fitting.

Assemble pipe/hose assembly as shown.



After completion of assembly, turn the tank valve on and turn the control valves on the grill to the 'HI/IGN' position for 10 – 15 seconds to purge the line of air.

Inspect the hose before each use of the appliance. If it is evident there is excessive abrasion or wear, or the hose is cut, it must be replaced prior to the appliance being put into operation. The replacement hose assembly shall be that specified by the manufacturer.

To connect, insert the regulator inlet into the tank valve and turn the black coupler clockwise until the coupler tightens up. **DO NOT OVER TIGHTEN THE COUPLER.**

To disconnect, turn the tank valve off. Hold the coupler sleeve and turn counter clockwise. The inlet line will be disengaged.

If the appliance is not in use, the gas must be turned off at the supply cylinder. Cylinder must be stored outdoors out of reach of children and must not be stored in a building, garage or any other enclosed area.

A dented, rusty or damaged propane cylinder must be replaced immediately.

Check for leaks every time the cylinder is replaced or reconnected. All leaks must be corrected immediately.

***Never use an open flame to check for leaks.**

(See illustration on p.13)

LP Tank Requirements:

The L.P. gas cylinder must be constructed and marked in accordance with the specifications for L.P. gas cylinders of the U.S. Department of Transportation (DOT) and designed for use with a QCC-1 quick disconnect system only.

The cylinder must be provided with a shut-off valve terminating in an L.P. gas supply cylinder valve outlet specified, as applicable, for connection No. QCC-1.

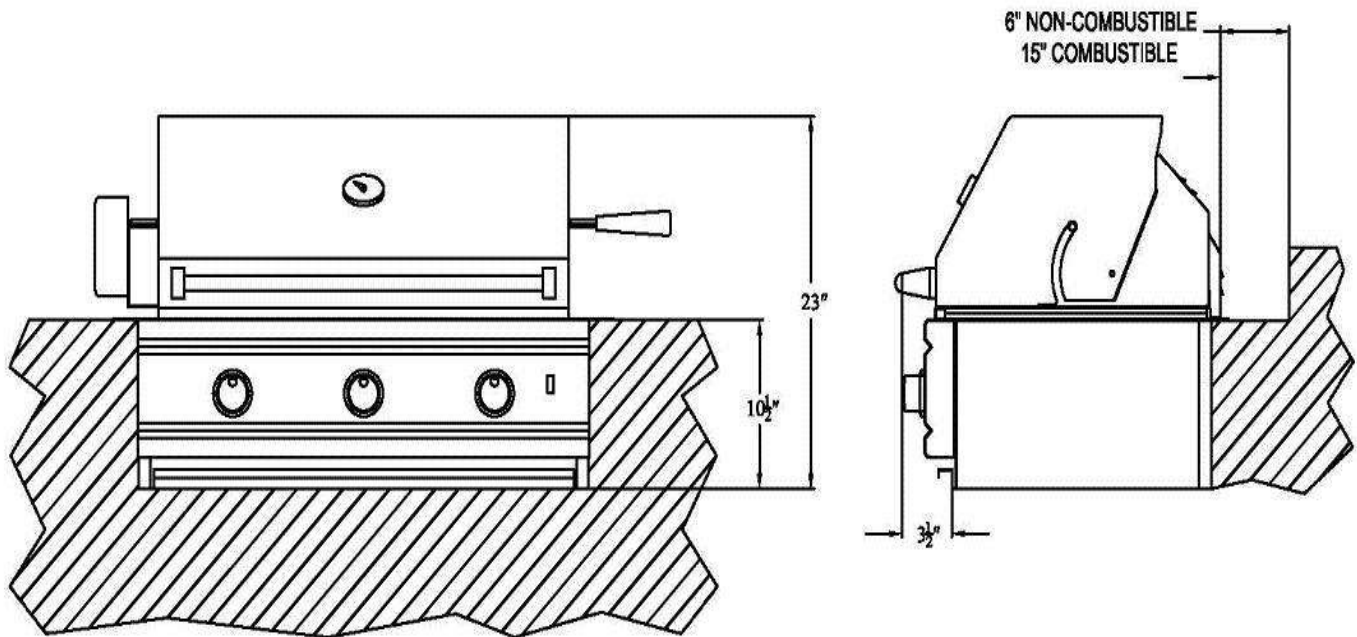
The cylinder must be provided with a listed overfilling prevention device.

The pressure regulator and hose assembly supplied with the outdoor cooking gas appliance must be used. Replacement of pressure regulators and hose assemblies can be purchased from authorized dealers.

The cylinder supply system must be arranged for vapor withdrawal. Make sure the LP cylinder has a collar to protect the cylinder valve.

- (a) Do not store a spare LP gas cylinder under or near this appliance.
- (b) Never fill the cylinder beyond 80 percent full.
- (c) If the information in (a) and (b) are not strictly followed, a death-causing fire or serious injury may occur.

Installation Location For All Models



NOTE: When using Propane, **EXTREME CAUTION** should be used to provide ample ventilation of vapor from the enclosure. LP Gas vapor is heavier than air and **SERIOUS INJURY** from a **DANGEROUS EXPLOSION** could occur if LP Gas is allowed to accumulate in an enclosure and then ignited. Both the Barbecue enclosure and LP cylinder enclosure require venting that must be provided at the floor level of the enclosure to allow any leaking LP Gas vapor to escape. Upper & lower ground level vents (20 sq. in. minimum each) **MUST BE PROVIDED** on both sides of built-in construction. Please ask local dealer for full details.

NOTE: When installing a barbecue equipped for liquid propane in an island, it must be cross-ventilated in accordance with the current standard. **NEVER** store extra propane tanks next to the one in use. Only one propane tank is permitted underneath the grill at any given time.

NOTE: Upper & lower ground-level vents (20 sq. in. minimum each) **MUST BE PROVIDED** for combustion air on both sides of built-in construction. Please ask local dealer for full details. **Barbecues must be installed in accordance with CSA specifications and all local building codes.**

Choose a location where the flow of air on the front of the grill is not obstructed.

Due to high temperatures, place the grill out of traffic and keep away from clothing, furniture, etc. Keep the gas line connection as short as possible. Do not install in recreational vehicles/mobile homes, trailers, boats, etc

Clearances

Combustible Construction

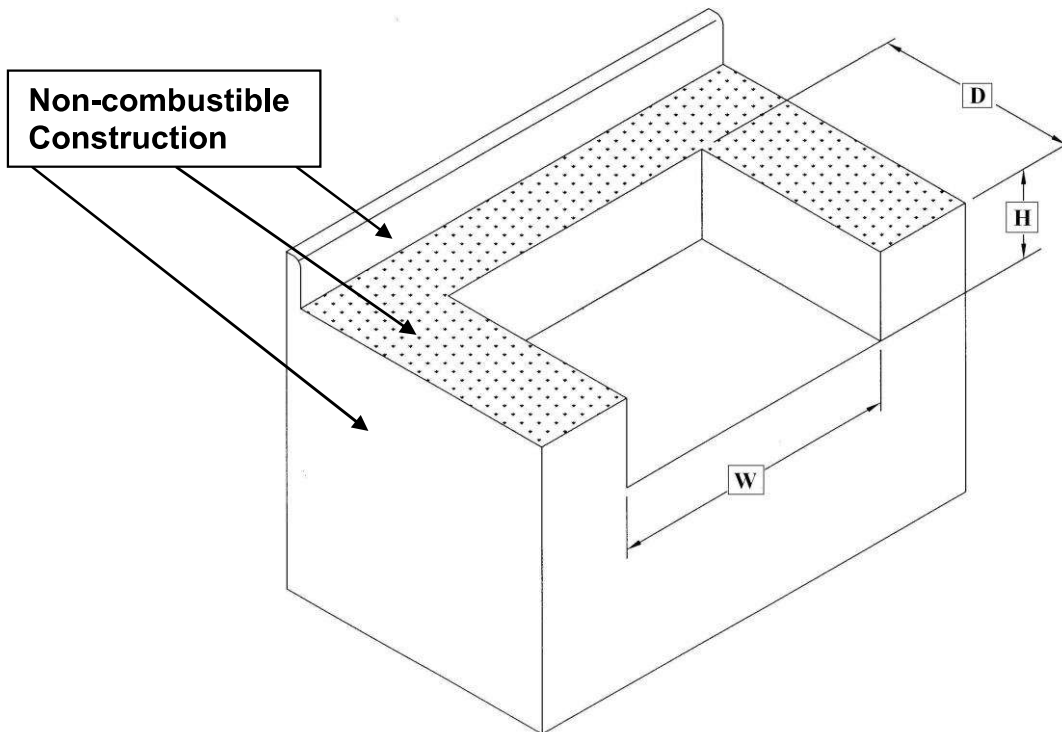
Minimum horizontal clearance from sides and back of the unit to adjacent vertical combustible construction extending above top of unit, 6 inches from side and 15 inches from back. Do not locate under overhead unprotected combustible construction.

Non-Combustible Construction

Sides of the grill can be 0" from non-combustible wall, below the cooking surface.

Built-in Installation

For non-combustible masonry enclosure installation, follow the cut out dimensions as shown.



Model	W	D	H
TR-26	24 ½"	20 ¾"	10"
TR-32	30 ½"	20 ¾"	10"
TR-38	38 ½"	20 ¾"	10"
TRLD-32	33 ¼"	20"	11"
TRLD-44	45 ¼"	20"	11"

The bottom of the grill must be supported on both sides and back or full width with opening as shown for gas connection.

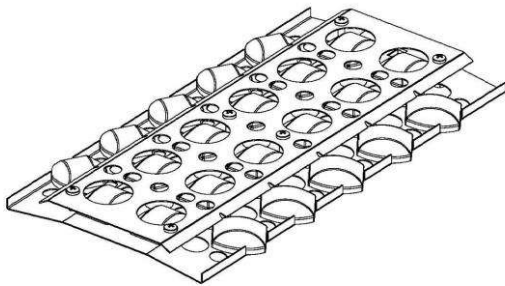
Electrical

Electrical outlet for Rotisserie motor must be installed to the left side of the grill.

The outdoor cooking gas appliance, when installed, must be electrically grounded in accordance with local codes or, in the absence of local codes, with the National Electrical Code, ANSI/NFPA 70, or the *Canadian Electrical Code*, CSA C22.1.

Keep any electrical supply cord and fuel supply hose away from any heated surface.

BRIQUETTES: Place briquettes burner cover above each burner.



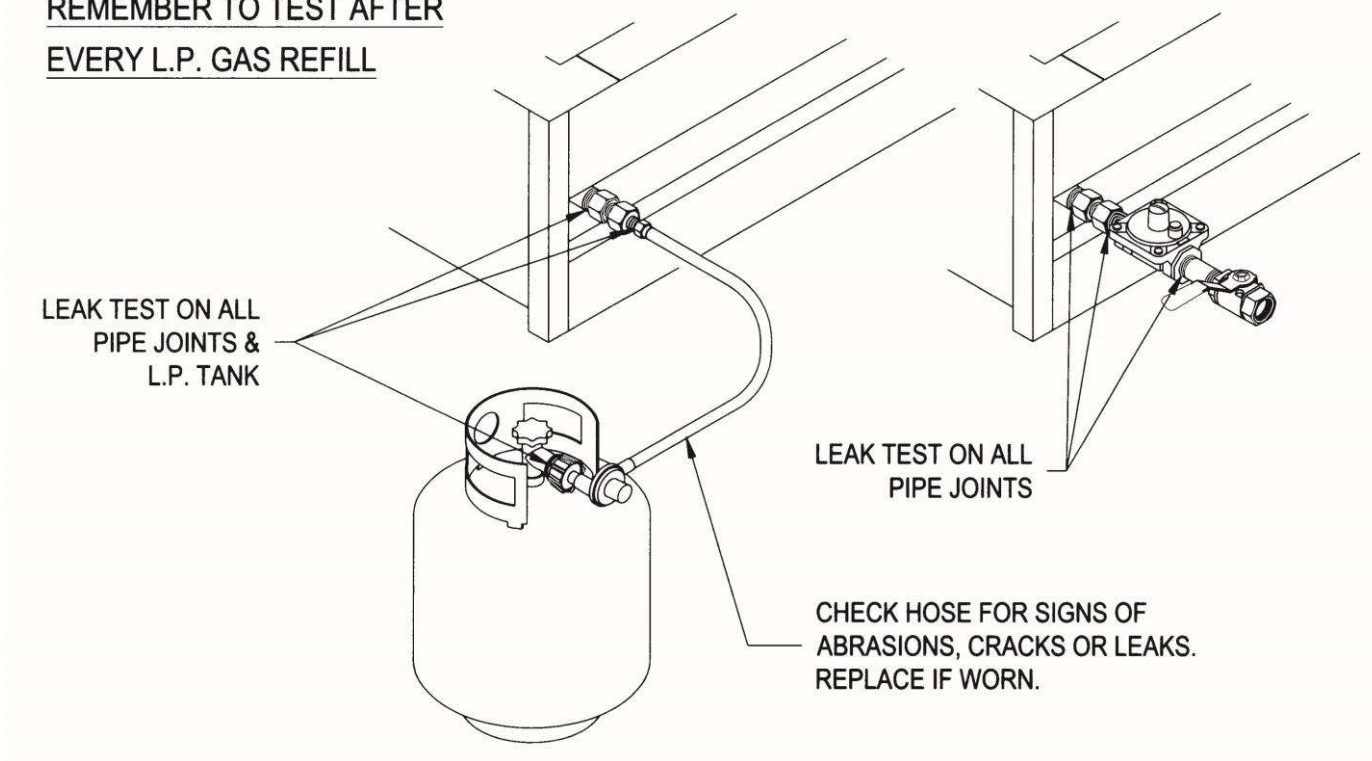
Leak Testing

All gas piping and connections must be tested for leaks after installation or service. All leaks must be corrected immediately.

Open the valve (shut-off or 'ON' LP tank). Test for leaks by applying liquid soap solution to all joints. Bubbles forming indicate gas leak.

NEVER USE AN OPEN FLAME TO CHECK FOR LEAKS.

**REMEMBER TO TEST AFTER
EVERY L.P. GAS REFILL**



TRLD-44 is not available with Flash Tube

Lighting Instructions

Before Lighting:

Check gas line/hose for signs of wear, abrasion or cuts. If evidence of deterioration is visible, replace the part prior to use.

If you smell gas, check for leaks. If odor continues, immediately call for service.

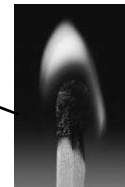
Keep your face and body away from the grill top when lighting.

Grill and Rotisserie Burner Lighting

1. Open lid before lighting. Make sure all knobs are in the 'OFF' position. (REMOVE WARMING RACK BEFORE USING ROTISSERIE)
2. Push and turn burner knob slowly to 'HI' position, a clicking will occur.
3. Repeat step 2 until unit lights.
4. If the burner does not ignite within 4 seconds, turn the gas off, wait for 5 minutes and then repeat steps 1 and 3.
5. For complete shut down, turn all knobs to the 'OFF' position. For LP, also turn the cylinder valve off when not in use.

If grill or Rotisserie burners do not light with igniter, they can be lit manually. For Main burners, turn knob on far right burner to high. Place match or lighter at the top of the flash tube on right side of basin. Once lit turn next burner on adjacent to far right burner, when lit repeat for far left burner on 32" model.

On rear burner use long Bic lighter or hearth match, turn rear burner to high and hold long match or Bic hearth lighter to burner surface. Back burner should light immediately.



Light at top of flash tube

***Models TRLD-32 & 44 do not offer the flash tube option**

Operation

DO NOT LEAVE YOUR GRILL UNATTENDED WHILE IN OPERATION.

Grill: Grill burners are controlled individually with a control knob. After lighting, turn the knob to HI, LO or in between as desired. Turn on as many burners as required. The top cover may be closed during grilling. Keep the top cover in the closed position during the pre-heat period.

Rotisserie: **Remove Warming rack before turning on rear rotisserie burner! Not doing so will result in damage and will not be covered under warranty!**

Turn the control knobs to HI.

Plug in the motor power cord to a properly grounded receptacle. Rotisserie cooking can be done with grill burners as well as with the Rotisserie burner 'ON'.

The skewer slides in from the side with the tip sliding into the motor shaft adapter. The slot on the handle side should be on the side support panel edge.

Use the prongs to hold the meat. Tighten thumbscrew on the prong hubs to secure in place.

When ready, turn the switch on the motor box to the 'ON' position. The skewer will rotate slowly. Stop the motor before removing the skewer.

Cleaning and Maintenance

Cleaning: Your Bar-B-Q grill works better and lasts longer if properly cleaned and maintained. Clean the grill immediately after every use.
Turn grill off before starting to clean. Protect your hand with a good mitt when cleaning the hot grill. Use a wire brush, dip in water and scrub the grill to soften and loosen food spills. The food spills will fall into the crumb pan.

Do not use Aerosol cleaners on hot grill surface. Chemicals may produce noxious fumes and may ignite on contact with the hot surface.

Shield: Burner shields (Briquette holder) are made up of stainless steel. After every use, allow the shields to cool down. Remove and soak in water with a mild soap or detergent. Replace when dry along with the briquettes.

Grease Pan: Empty grease pan as required to prevent overflowing. After use, remove the grease pan and brush off the contents. Clean with hot water and soap or detergent.

All stainless steel parts should be cleaned with a mild soap or detergent or with a liquid cleanser especially made for stainless steel. Never attempt to clean stainless steel with steel wool, abrasive clothes or powders.

Maintenance

Keep outdoor cooking gas appliance area clear and free from combustible materials, gasoline and other flammable vapors and liquids.

Do not obstruct the flow of combustion and air ventilation.

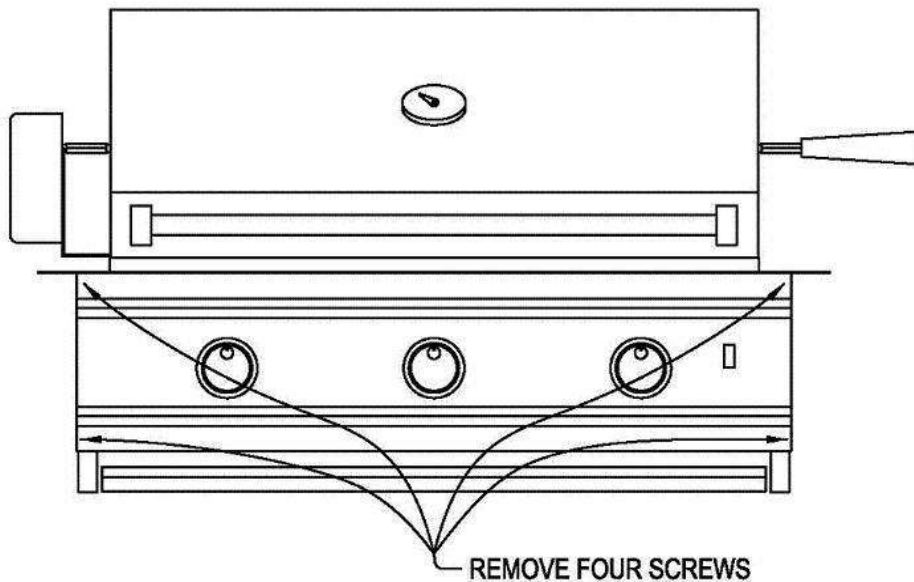
Keep the ventilation opening(s) of the cylinder enclosure free and clear from debris.

Visually check burner flames.

There are many different stainless steel cleaners available. Always use the mildest cleaning procedure first, scrubbing in the direction of the grain. To touch up noticeable scratches in the stainless steel, sand very lightly with dry 100 grit emery paper in the direction of the grain. Specks of grease can gather on the surfaces of the stainless steel and bake on to the surface and give the appearance of rust. For removal use, an abrasive pad (Scotch Brite is good) in conjunction with a stainless steel cleaner. Always rub in the direction of the grain. Never scrub the stainless steel with steel wool. Steel particles left on the stainless steel will soon rust and give the appearance that the parts are rusting.

The burners, control area, crumb pan, etc. should be kept clean at all times. During prolonged non-use of the grill, spiders and insects can nest in areas that will adversely affect the functioning of the grill. Check burner inlets, orifice hood (gas inlet to burner), igniter, sparkers, etc. thoroughly and clean before use.

Front Panel Removal for All Models



- Pull knobs out.
- Remove screws (4) .
- Pull panel out slightly.
- Disconnect wires from switch.
- Replace in reverse order.

Parts Removal and Replacement

Grill Burner:

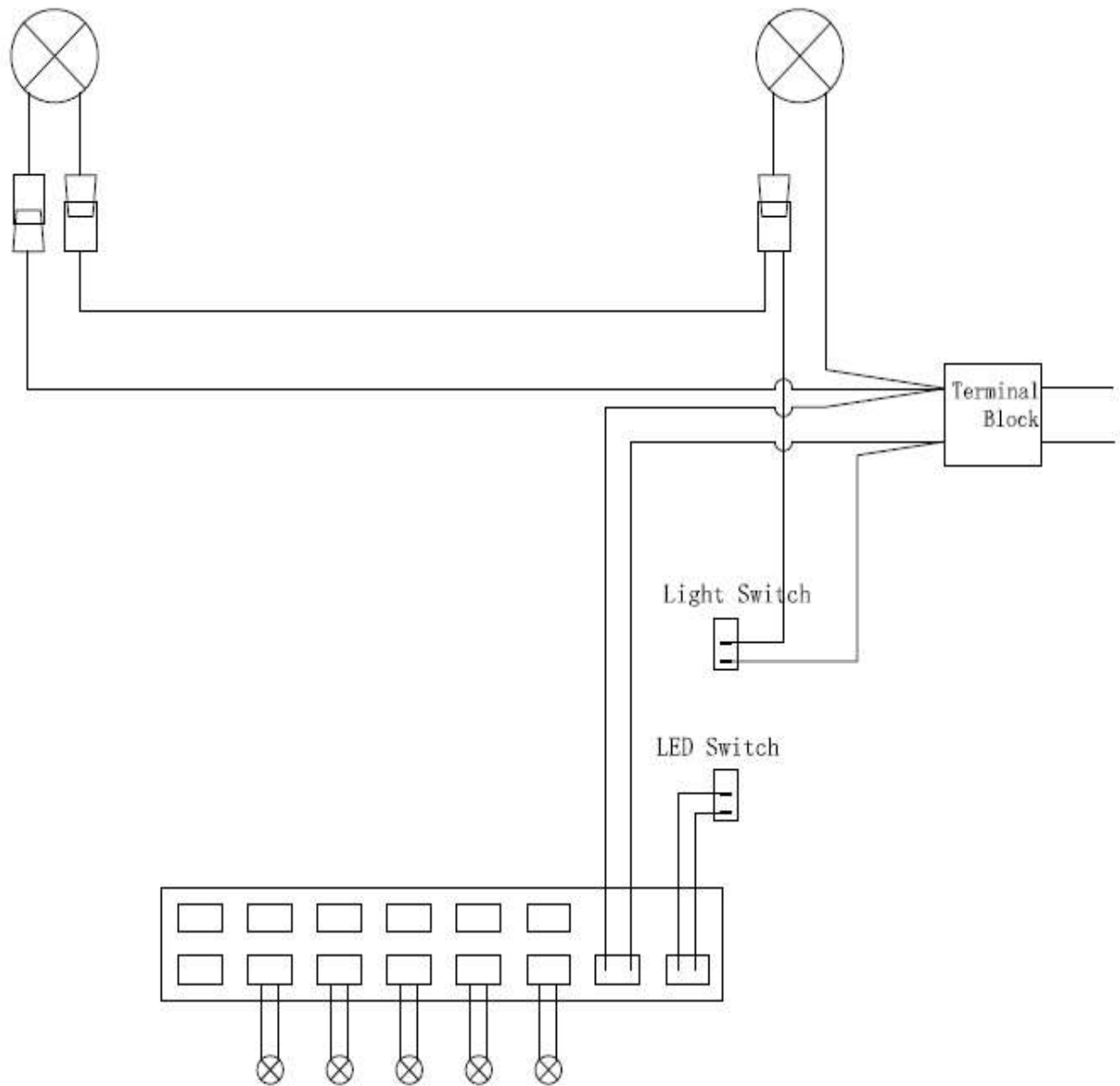
- Remove top grates.
- Remove briquettes and shields
- Remove clip at rear of burner and slide out.
- Clean and replace in reverse order.

Rotisserie Sparker:

- Remove sparker cover – lift and pull.
- Remove sparker screws and pull out.

Trouble Shooting

<u>Problem</u>	<u>Solution</u>
Burner will not light	<ul style="list-style-type: none">- Check gas supply to burner by manually lighting the burners.- Check pilot side of valve for spark while gas is off- Make sure spark area is clean from debris, webs etc.- Make sure you now have a spark- If no spark, check valve for defects
Improper burner flame	<ul style="list-style-type: none">- Check burner gas inlet area for any blockage and clear.- Check orifice hoods for any clogging and clean.- Check pressure if flame is too low or too high.- Check gas supply tank (LP) if running low.- Make sure that knobs are in off position when turning tank valve on!



TRL-32	4 LEDS	1 LIGHT
TRL-38	5 LEDS	2 LIGHTS
TRLD-32	4 LEDS	2 LIGHTS
TRLD-44	5 LEDS	2 LIGHTS

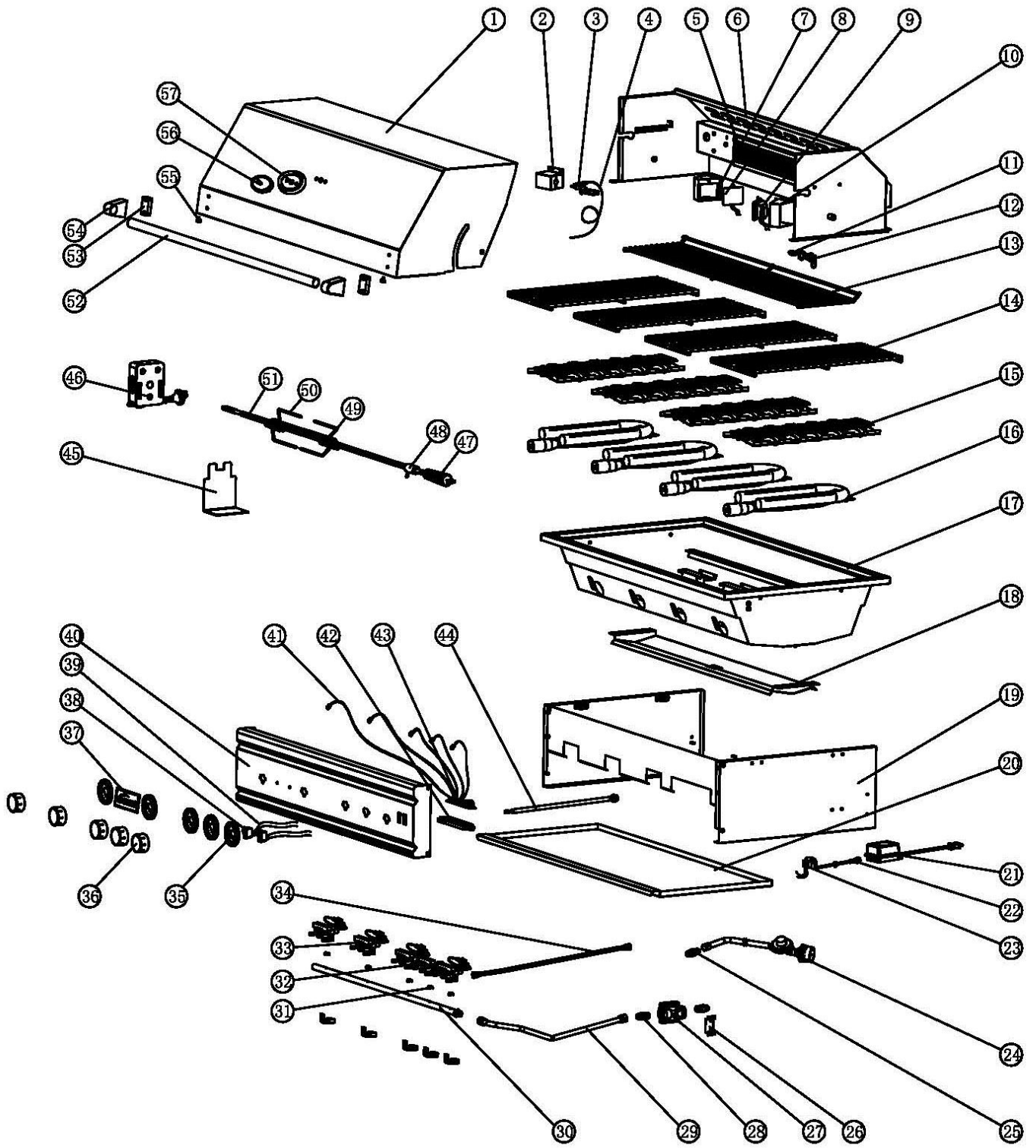
TR-26/TR-32/TRL-32/TRS-32/TRL-38 Parts List

ITEM	PART#	DESCRIPTION	QTY.				
			TR-26	TR-32	TRL-32	TRS-32	TRL-38
1	TR001	26"-TOP HOOD	1				
	TR002	32"-TOP HOOD		1	1	1	
	TR003	38"-TOP HOOD					1
2	TR004	IGNITOR BRACKET-I.R.BURNER		1	1		1
3	TR005	IGNITOR-I.R.BURNER		1	1		1
4	TR006	IGNITOR WIRE(1400mm) -I.R.BURNER		1	1		
	TR007	IGNITOR WIRE(1600mm) -I.R.BURNER					1
5	TR008	I.R.BURNER		1	1		1
6	TR009	26"-REAR HOOD	1				
	TR010	32"-REAR HOOD (TR-32、TRL-32)		1	1		
	TR011	32"-REAR HOOD (TRS-32)				1	
	TR012	38"-REAR HOOD					1
7	TR013	LIGHT BOX (LEFT)					1
8	TR014	LIGHT (LEFT)					1
9	TR015	LIGHT BOX (RIGHT)			1		1
10	TR016	LIGHT (RIGHT)			1		1
11	TR017	ORIFICE(LP ϕ 1.05) -I.R.BURNER		1	1		1
		ORIFICE(NG ϕ 1.6) -I.R.BURNER		1	1		1
12	TR018	ORIFICE ELBOW		1	1		1
13	TR019	26"-WARMING RACK	1				
	TR020	32"-WARMING RACK		1	1	1	
	TR021	38"-WARMING RACK					1
14	TR022	26"-TOP GRATE	2				
	TR023	32"-TOP GRATE		3	3	3	
	TR024	38"-TOP GRATE					4
15	TR025	26" -BURNER COVER	2	3	3	3	
	TR026	38" -BURNER COVER					4
16	TR027	"U" BURNER	2	3	3	3	4
17	TR028	26 "-INNER BASIN	1				
	TR029	32 "-INNER BASIN		1	1	1	
	TR030	38 "-INNER BASIN					1
18	TR031	26 "-CRUMB TRAY	1				
	TR032	32 "-CRUMB TRAY		1	1	1	
	TR033	38 "-CRUMB TRAY					1
19	TR034	26 "-BASIN FRAME	1				
	TR035	32 "-BASIN FRAME		1	1	1	
	TR036	38 "-BASIN FRAME					1
20	TR037	26 "-GREASE TRAY	1				
	TR038	32 "-GREASE TRAY		1	1	1	
	TR039	38 "-GREASE TRAY					1
21	TR040	TRANSFORMER 20W			1		1
22	TR041	TRANSFORMER INLET CORD			1		1
23	TR042	TERMIINAL BLOCK			1		1
24	TR043	LP REGULATOU	1	1	1	1	1
25	TR044	LP FLARE FITTING	1	1	1	1	1
26	TR045	REGULATOU BRACKET	1	1	1	1	1

ITEM	PART#	DESCRIPTION	QTY.				
			TR-26	TR-32	TRL-32	TRS-32	TRL-38
27	TR046	NG REGULATOU	1	1	1	1	1
28	TR047	NG FLARE FITTING	2	2	2	2	2
29	TR048	FLEX TUBE 500mm	1	1	1	1	1
30	TR049	26 "-MANIFOLD PIPE	1				
	TR050	32 "-MANIFOLD PIPE		1	1	1	
	TR051	38 "-MANIFOLD PIPE					1
31	TR052	VALVE SEAL RING	2	4	4	3	5
32	TR053	GAS VALVE-I.R.BURNER		1	1		1
33	TR054	GAS VALVE(LPφ1.3)- "U"BURNER	2	3	3	3	5
	TR055	GAS VALVE(NGφ1.93)- "U"BURNER	2	3	3	3	5
34	TR056	FLEX TUBE-I.R.BURNER 980mm		1	1		
	TR057	FLEX TUBE-I.R.BURNER 1050mm					1
35	TR058	BEZEL	2	4	4	3	5
36	TR059	CONTROL KNOB	2	4	4	3	5
37	TR060	LOGO PLATE	1	1	1	1	1
38	TR061	LIGHT SWITCH-ON/OFF			2		2
39	TR062	32 "-LIGHT WIRE			1		
	TR063	38 "-LIGHT WIRE					1
40	TR064	26 "-CONTROL PANEL	1				
	TR065	32 "-CONTROL PANEL (TR-32)		1			
	TR066	32 "-CONTROL PANEL (TRL-32)			1		
	TR067	32 "-CONTROL PANEL (TRS-32)				1	
	TR068	38 "-CONTROL PANEL					1
41	TR069	32 " LED WITH WIRE			1		
	TR070	38 " LED WITH WIRE					1
42	TR071	LED MODULE HOLDER			1		1
43	TR072	LED MODULE			1		1
44	TR073	SIDE BURNER LED OUTLET			1		1
45	TR074	BRACKET-MOTOR		1	1		1
46	TR075	MOTOR-ROTISSERIE		1	1		1
47	TR076	HANDLE-ROTISSERIE		1	1		1
48	TR077	SPIT COLLOR-ROTISSERIE		1	1		1
49	TR078	SCREW-SKEWER FORK		3	3		3
50	TR079	SKEWER FORK φ5		2	2		2
51	TR080	32 "-SKEWER ROD		1	1		1
	TR081	38 "- SKEWER ROD		1	1		1
52	TR082	26 "-HOOD HANDLE TUBE	1				
	TR083	32"-HOOD HANDLE TUBE		1	1	1	
	TR084	38 "-HOOD HANDLE TUBE					1
53	TR085	END CAP SPACER-HANDLE	2	2	2	2	2
54	TR086	END CAP-HANDLE	2	2	2	2	2
55	TR087	RUBBER STOPPER	2	2	2	2	2
56	TR088	TEMPRATURE GAUGE	1	1	1	1	1
57	TR089	TEMPRATURE GAUGE BEZEL	1	1	1	1	1

Please see your local dealer for service and parts replacement

TRL-32/38 Exploded View



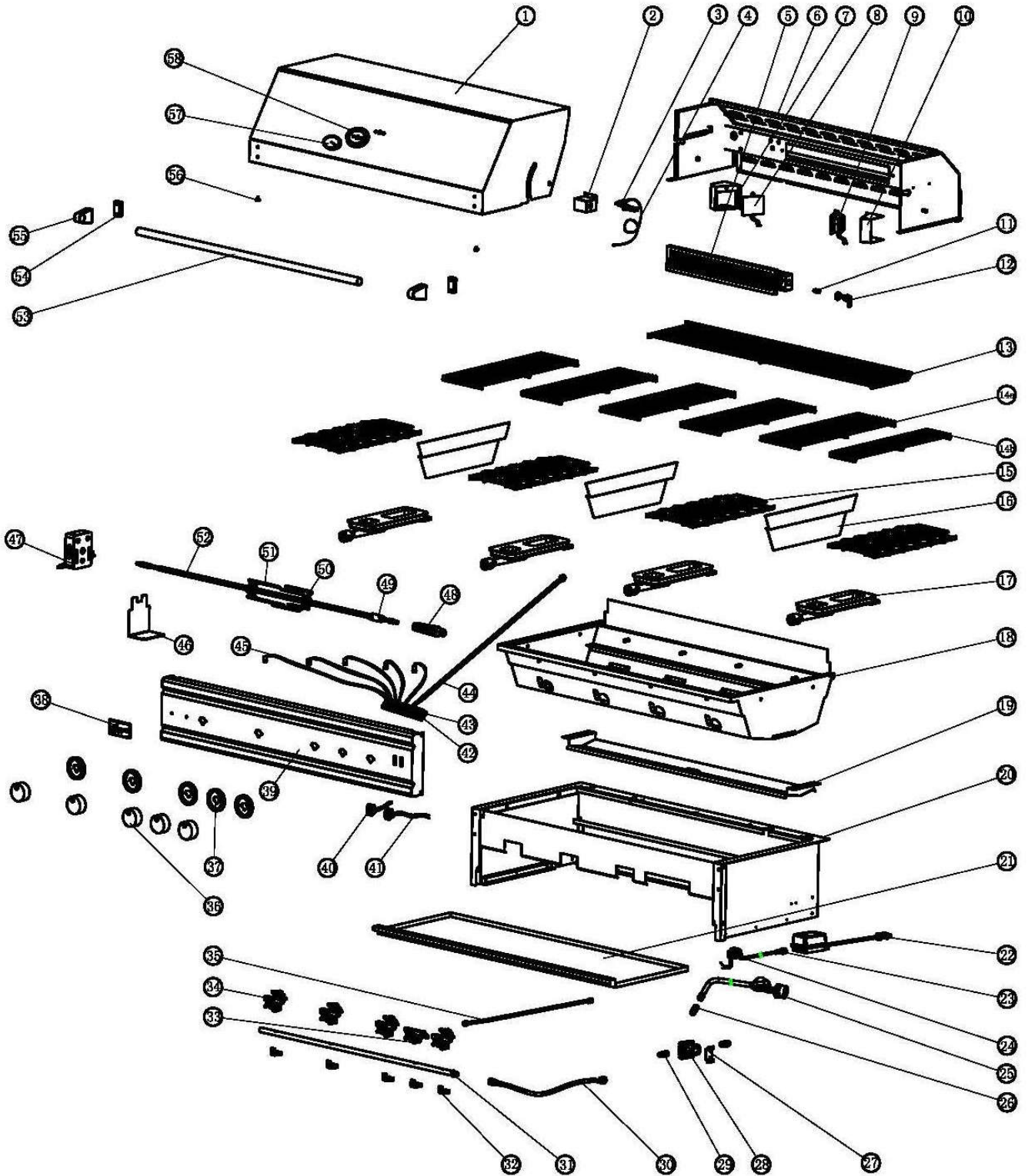
TRLD-32/44 Parts List

ITEM	PART#	DESCRIPTION	QTY.	
			TRLD-32	TRLD-44
1	TRLD001	TOP HOOD	1	1
2	TRLD002	IGNITOR BRACKET-I.R.BURNER	1	1
3	TRLD003	IGNITOR-I.R.BURNER	1	1
4	TRLD004	WIRE(1700mm) -I.R.BURNER	1	1
5	TRLD005	I.R.BURNER	1	1
6	TRLD006	REAR HOOD	1	1
7	TRLD007	LIGHT BOX (LEFT)	1	1
8	TRLD008	LIGHT (LEFT)	1	1
9	TRLD009	LIGHT BOX (RIGHT)	1	1
10	TRLD010	LIGHT (RIGHT)	1	1
11	TRLD011	ORIFICE(LP ϕ 1.05) -I.R.BURNER	1	1
		ORIFICE(NG ϕ 1.6) -I.R.BURNER	1	1
12	TRLD012	ORIFICE ELBOW	1	1
13	TRLD013	WARMING RACK	1	1
14a	TRLD014	TOP GRATE- LARGE	0	5
14b	TRLD015	TOP GRATE- SMALL	4	1
15	TRLD016	BURNER SEPARATOR	2	3
16	TRLD017	BURNER COVER	3	4
17	TRLD018	CAST BURNER	3	4
18	TRLD019	INNER BASIN	1	1
19	TRLD020	CRUMB TRAY	1	1
20	TRLD021	BASIN FRAME	1	1
21	TRLD022	GREASE TRAY	1	1
22	TRLD023	TRANSFORMER 20W	1	1
23	TRLD024	TRANSFORMER INLET CORD	1	1
24	TRLD025	TERMIINAL BLOCK	1	1
25	TRLD026	LP REGULATOR	1	1
26	TRLD027	LP FLARE FITTING	1	1
27	TRLD028	REGULATOR BRACKET	1	1
28	TRLD029	NG REGULATOU	1	1
29	TRLD030	NG FLARE FITTING	1	1
30	TRLD031	FLEX TUBE 500mm	1	1
31	TRLD032	MANIFOLD PIPE	1	1

32	TRLD033	VALVE LATCH	4	5
33	TRLD034	GAS VALVE-I.R.BURNER	1	1
34	TRLD035	GAS VALVE(LPφ1.2)- "U"BURNER	3	4
	TRLD036	GAS VALVE(NGφ1.85)- "U"BURNER	3	4
35	TRLD037	FLEX TUBE-I.R.BURNER 1050mm	1	1
36	TRLD038	CONTROL KNOB	4	5
37	TRLD039	BEZEL	4	5
38	TRLD040	LOGO PLATE	1	1
39	TRLD041	CONTROL PANEL	1	1
40	TRLD042	LIGHT SWITCH	2	2
41	TRLD043	LIGHT WIRE	1	1
42	TRLD044	LED MODULE BRACKET	1	1
43	TRLD045	LED MODULE	1	1
44	TRLD046	SIDE BURNER LED OUTLET	1	1
45	TRLD047	LED LIGHT WIRE	1	1
46	TRLD048	BRACKET-MOTOR	1	1
47	TRLD049	MOTOR-ROTISSERIE	1	1
48	TRLD050	HANDLE-ROTISSERIE	1	1
49	TRLD051	SPIT COLLOR-ROTISSERIE	1	1
50	TRLD052	SCREW-SKWER FORK	3	3
51	TRLD053	SKWER FORK φ5.7	2	2
52	TRLD054	SKWER ROD	1	1
53	TRLD055	HOOD HANDLE	1	1
54	TRLD056	END CAP SPACER SPACER- HANDLE	2	2
55	TRLD057	END CAP-HANDLE	2	2
56	TRLD058	RUBBER STOPPER	2	2
57	TRLD059	TEMPRATURE GAUGE	1	1
58	TRLD060	TEMPRATURE GAUGE BEZEL	1	1

Please see your local dealer for service and parts replacement

TRLD-32/44 Exploded View



DO'S & DON'TS

DO..

- Have propane cylinder (LP units) filled by authorized LP supplier.
- Record your grill model number on your instructions and keep the instructions and parts list in a convenient place.
- Check all gas line connections for leaks with soapy solution prior to lighting, tighten until bubbles disappear.
- Raise the hood before lighting the burner.
- Preheat the grill 5 minutes maximum before cooking.
- After cooking, turn the grill off, then take a long handled soft brass bristle brush and brush off the cooking grills. Then turn off gas at the Propane tank or main valve.
- Use a mitt to turn off tank valve, it can get hot.
- Cook with hood down when possible. It is generally faster and more efficient. Trapped smoke adds to the flavor.
- Turn the gas off promptly should you be unable to light the grill immediately. Wait a full 5 minutes before attempting to light grill again.
- Have proper tools, tongs, mittens and hot pads ready prior to removing foods.
- Trim excess fats from meats to minimize flareups.
- Let the grill cool before removing any parts for cleaning.
- Be careful of the control valve setting. LP gas is hotter and the lower setting may be generally preferred.
- Cover the barbecue when not in use.
- Use a mitt or glove when opening BBQ lid or turning off Propane tank valve after use.

DON'T..

- Install grill closer than 14" on the sides or 16" on the back to any combustible construction.
- Attempt any adjustment of the regulator, it has been preset and tested.
- Allow the LP tank to lie on its side. Keep in an upright position.
- Use plastics or untempered glass utensils on the grill.
- Attempt to move an aluminum foil pan while it is hot. Let it cool first before moving it.
- Cover or block any air openings in the bottom of the grill with foil.
- Wear long, loose flowing clothing around the grill. Long flowing hair is also easily ignited especially by unexpected flare-ups. Tie hair back or wear a hat or a scarf.
- Put food on the grill and leave it unattended or unwatched for long periods. Most fats can catch fire even on the lower setting.
- Clean Flame Tamers in any solution other than a boiling detergent water. Then rinse well, dry and reuse.
- Use caustic materials, i.e., lye , to clean grill parts.
- Store any additional Propane gas tanks under barbecue. When cooking with hood closed NEVER exceed temperatures of 480°F (250°C).